

- ### Features
- High precision with tight stability options
 - Wide operating temperature ranges
 - High frequency fundamental - no multiplier
 - Low & medium volumes also available
 - Enable / disable tristate function

Enable / Disable Function

Input (pad 1)	Output (pad 3)
Open	Enabled
'1' level	Enabled
'0' level	High Impedance

Note: '0' level = $V_{IL} \leq 30\%V_{DD}$, '1' level = $V_{IH} \geq 70\%V_{DD}$

- ### Specifications
- GXO-5300: 1.8V supply
 - GXO-5300: 2.5V supply
 - GXO-5300: 3.3V supply

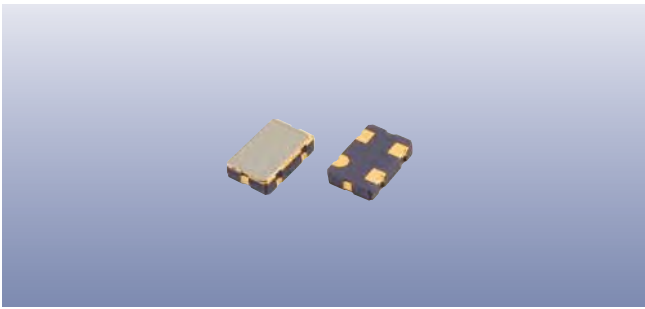
Parameters	Variant			Option Codes
	G	J	L	
Frequency range:	10.0 ~ 160MHz			
Frequency stability (max)*				
±2.5ppm over -40 to +85°C	<input type="checkbox"/>	<input type="checkbox"/>	<input type="checkbox"/>	H
±5.0ppm over -40 to +85°C	<input type="checkbox"/>	<input type="checkbox"/>	<input type="checkbox"/>	G
±10ppm over -40 to +85°C	<input type="checkbox"/>	<input type="checkbox"/>	<input type="checkbox"/>	F
±20ppm over -40 to +105°C	<input type="checkbox"/>	<input type="checkbox"/>	<input type="checkbox"/>	D
±25ppm over -40 to +125°C	<input type="checkbox"/>	<input type="checkbox"/>	<input type="checkbox"/>	A
Storage temperature range:	-55 to +125°C			
Supply voltage (V _{DD}):				
+1.8V (±5%)	<input type="checkbox"/>			
+2.5V (±5%)		<input type="checkbox"/>		
+3.3V (±5%)			<input type="checkbox"/>	
Supply current (mA max):				
11mA (10.0 ~ 80.0MHz)	<input type="checkbox"/>	<input type="checkbox"/>	<input type="checkbox"/>	
20mA (80.0 ~ 160MHz)	<input type="checkbox"/>	<input type="checkbox"/>	<input type="checkbox"/>	
Logic levels:				
'0' level = 10%V _{DD} max	<input type="checkbox"/>	<input type="checkbox"/>	<input type="checkbox"/>	
'1' level = 90%V _{DD} min	<input type="checkbox"/>	<input type="checkbox"/>	<input type="checkbox"/>	
Start up time:	5ms max			
Waveform symmetry:	45:55 max @ 50%V _{DD}			
Driving ability:	15pF CMOS			
Rise / fall time (10~90%V _{DD}):				
6ns max (≤40.0MHz)	<input type="checkbox"/>	<input type="checkbox"/>	<input type="checkbox"/>	
3ns max (>40.0MHz)	<input type="checkbox"/>	<input type="checkbox"/>	<input type="checkbox"/>	
Enable / disable function:	Tristate (control via pad 1)			
Stand-by current:	10µA max			
Phase jitter RMS:	0.3ps typ (12kHz ~ 20.0MHz)			

■ Standard. □ Optional - Please specify required code(s) when ordering

* Frequency stability is inclusive of calibration @ 25°C, operating temperature range, supply voltage change, load change, shock and vibration. Option H inclusive of calibration @ 25°C and operating temperature range only.

Ordering Information

Product name + variant + option codes + frequency
 eg: **GXO-5300L/G 54.0MHz** 3.3V, ±5ppm, -40+85°C
GXO-5300G/D 108MHz 1.8V, ±10ppm, -40+105°C
 Option code X (eg GXO-5300L/X) denotes a custom spec.



Packaging & Handling

Production quantities supplied on T&R, 2k pcs per reel.
Small quantities may be supplied on tape (no reel), or in bulk.

 Static sensitive product. Observe proper handling precautions

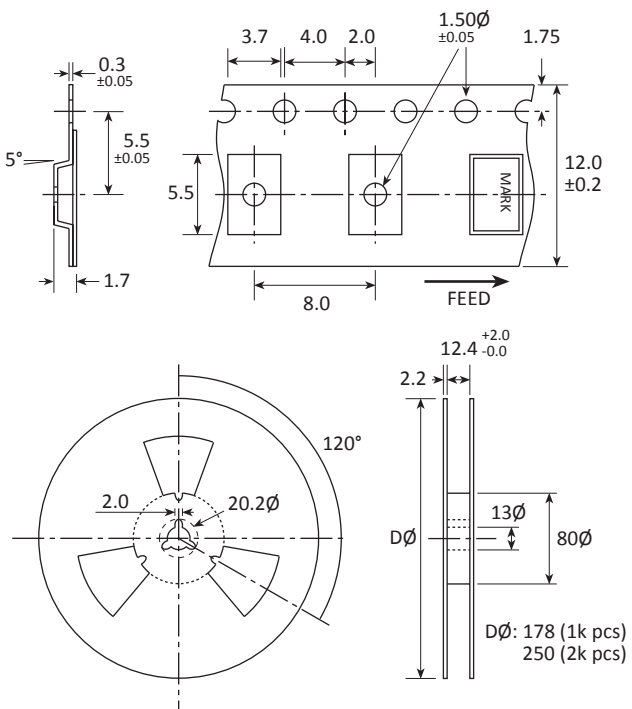
Marking

FREQUENCY
DC

Marking type: Laser
DC = Date code in YM, eg "GE" = May 2017

	A	B	C	D	E	F	G	H	J	K	L	M
Y	1	2	3	4	5	6	7	8	9	0		
M	Jan	Feb	Mar	Apr	May	Jun	Jul	Aug	Sep	Oct	Nov	Dec

Tape & Reel Specification





Not to scale. Dimensions in mm. Tolerances ±0.1mm unless otherwise stated.

Construction

- Ceramic body with gold-plated pads
- Metal lid, seam sealed

Composition

 This product is lead-free, and is fully compliant with current RoHS directives 

Soldering Profile

