

PAD	CONNECTION
1	Enable / disable
2	Ground
3	Output
4	Supply

Features

- ▶ Miniature SM package
- ▶ Low voltage supply
- ▶ Enable / disable tristate function
- ▶ Competitive pricing

Enable / Disable Function

Input (pad 1)	Output (pad 3)
Open	Enabled
'1' level	Enabled
'0' level	High Impedance

Specifications

- GXO-2201G: 1.8V supply
- GXO-2201J: 2.5V supply
- GXO-2201L: 3.3V supply

Parameters	Variant			Option Codes	
	G	J	L		
Frequency range:	1.50 ~ 54.0MHz	■	■	■	
Frequency stability*:	±50ppm ±25ppm	■ □	■ □	■ □	B A
Operating temperature range:	-20 to +70°C	■	■	■	
Storage temperature range:	-40 to +85°C	■	■	■	
Supply voltage (V _{DD}):	+1.8V (±5%) +2.5V (±5%) +3.3V (±5%)	■	■	■	
Supply current (mA max):	< 24.0MHz 24.0 ~ 39.9MHz ≥ 40MHz	2.5 3.5 4.5	3.0 4.5 5.0	3.5 5.0 8.0	
Logic levels:	'0' level = 10%V _{DD} max '1' level = 90%V _{DD} min	■	■	■	
Start up time:	10ms max	■	■	■	
Waveform symmetry:	45:55 max @ 50%V _{DD}	■	■	■	
Driving ability:	15pF CMOS	■	■	■	
Rise/fall time (ns max, 10%-90%V _{DD}):		6.5	5.0	4.5	
Enable / disable function:	Tristate (control via pad 1)	■	■	■	
Period jitter RMS:	5ps max	■	■	■	
Phase jitter RMS:	1ps max, 12kHz~20MHz	■	■	■	
Ageing:	±5ppm max 1st year	■	■	■	

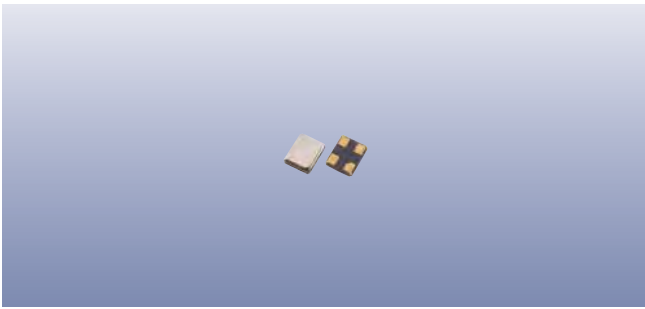
■ Standard. □ Optional - Please specify required code(s) when ordering

* Frequency stability is inclusive of calibration @ 25°C, operating temperature range, supply voltage change and load change.

Ordering Information

Product name + variant + option code(s) + frequency
 eg: **GXO-2201G/A 40.0MHz** 1.8V, ±25ppm -20+70°C
GXO-2201L/BI 32.0MHz 3.3V, ±50ppm -40+85°C

♦ **WARNING!** Preliminary data. Please check availability



Packaging & Handling

Production quantities supplied on T&R, 1k or 3k pcs per reel. Small quantities may be supplied on tape (no reel), or in bulk.



♦ Static sensitive product. Observe proper handling precautions

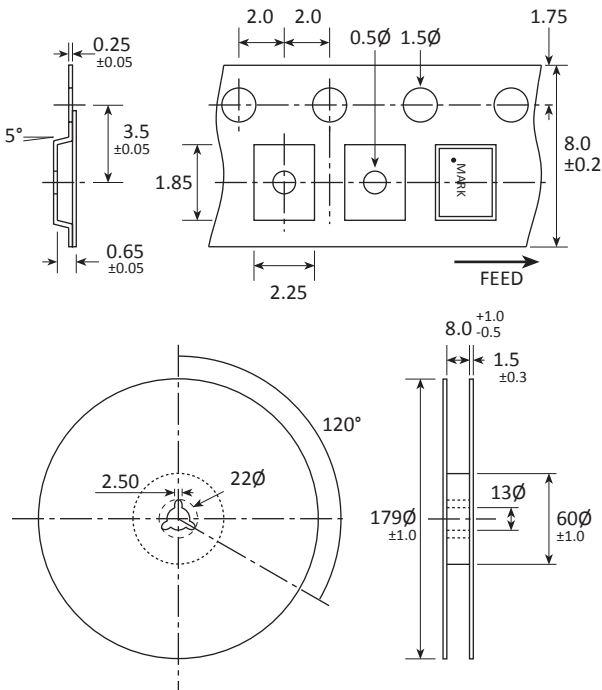
Marking

DC
FREQUENCY

Marking type: Laser
DC = Date code in YM, eg "CE" = May 2013

	A	B	C	D	E	F	G	H	J	K	L	M
Y	1	2	3	4	5	6	7	8	9	0		
M	Jan	Feb	Mar	Apr	May	Jun	Jul	Aug	Sep	Oct	Nov	Dec

Tape & Reel Specification



Not to scale. Dimensions in mm. Tolerances ±0.1mm unless otherwise stated.

Construction

- ▮ Ceramic body with gold-plated pads
- ▮ Metal lid, seam sealed

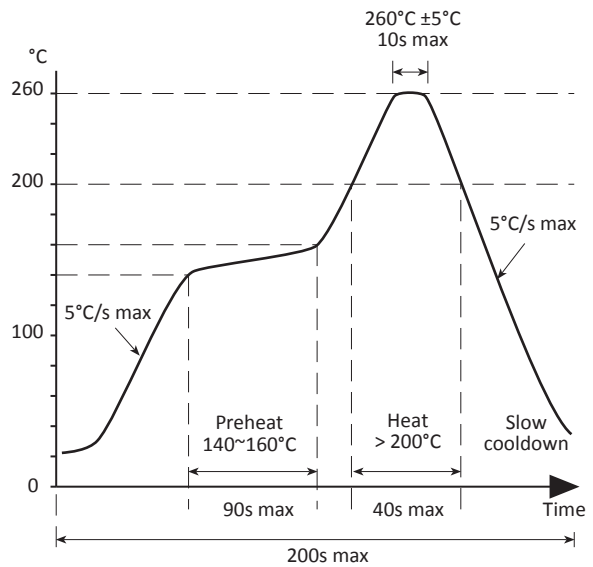
Composition



This product is lead-free, and is fully compliant with the RoHS directive 2002/95/EC



Soldering Profile



Solder resistance: 260°C x 10 secs x 2.