

PAD	CONNECTION
1	Control voltage
2	Enable / disable
3	Ground
4	Output 1 (Q)
5	Output 2 (\bar{Q})
6	Supply

Features

- ▶ Complementary LV-PECL output
- ▶ Multiplier-free design
- ▶ Enable / disable tristate function
- ▶ Designed for high speed data transfer

Example Applications

- ▶ Networking - Gigabit ethernet etc
- ▶ Storage - SAS, SATA etc
- ▶ Telecomms - SONET, SDH etc
- ▶ Computing
- ▶ Instrumentation

Specifications

Parameters	Variant	Option Codes
	L	
Frequency range:	40.0 ~ 250MHz	
Voltage control (V_{CTL}):	+1.65V \pm 1.50V, 10% linearity	
Frequency pullability (min):	\pm 50ppm Other	specify
Frequency stability*:	\pm 50ppm \pm 25ppm Other	B C specify
Operating temperature range:	-10 to +70°C -40 to +85°C	I
Storage temperature range:	-40 to +85°C	
Supply voltage (V_{DD}):	+3.3V (\pm 5%)	
Supply current:	50mA max	
Output:	Complementary PECL	
Test load:	$R_T = 50\Omega$ $V_T = V_{DD} - 2.0V$	
Logic levels:	'0' level = $V_{DD} - 1.81 \sim V_{DD} - 1.62V$ max '1' level = $V_{DD} - 1.025 \sim V_{DD} - 0.88V$ min	
Waveform symmetry:	45:55 max @ 50% V_{p-p}	
Rise / fall time:	0.5ns max (20% ~ 80%VP-P)	
Phase jitter:	1ps max (12kHz ~ 20MHz)	
Enable / disable function:	Tristate (control via pad 2)	

■ Standard. □ Optional - Please specify required code(s) when ordering

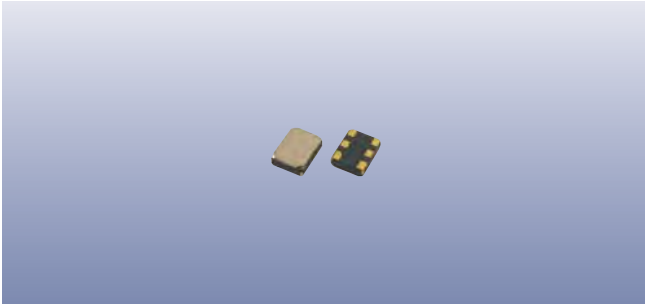
* Frequency stability is inclusive of operating temperature range, supply voltage change and ageing, with $V_{CTL} = +1.65V$

Ordering Information

Product name + variant + option codes + frequency
 eg: **GVXO-E33L/C 156.250MHz** \pm 25ppm -10+70°C
GVXO-E33L/BI 125.0MHz \pm 50ppm -40+85°C
 Option code X (eg GVXO-E33L/X) denotes a custom spec.

Enable / Disable Function

Input (pad 2)	Output 1 (pad 4)	Output 2 (pad 5)
Open	Enabled	Enabled
'1' level ($\geq 0.7V_{DD}$)	Enabled	Enabled
'0' level ($\leq 0.3V_{DD}$)	High Impedance	High Impedance



Packaging & Handling

Production quantities supplied on T&R, 2k pcs per reel.
Small quantities may be supplied on tape (no reel), or in bulk.

 Static sensitive product. Observe proper handling precautions

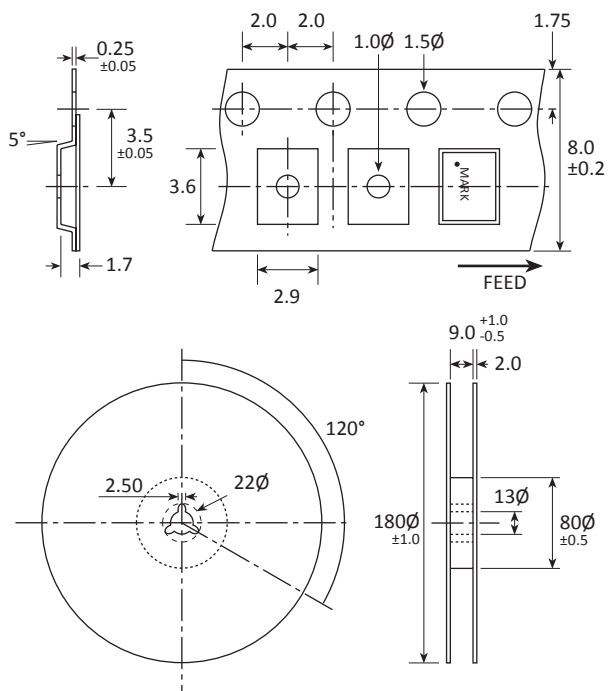
Marking

FREQUENCY DC
• PARTNO

• Pin 1
Marking type: Laser
DC = Date code in YM, eg "FE" = May 2016

	A	B	C	D	E	F	G	H	J	K	L	M
Y	1	2	3	4	5	6	7	8	9	0		
M	Jan	Feb	Mar	Apr	May	Jun	Jul	Aug	Sep	Oct	Nov	Dec

Tape & Reel Specification





Not to scale. Dimensions in mm. Tolerances ±0.1mm unless otherwise stated.

Construction

- Ceramic body with gold-plated pads
- Metal lid, seam sealed

Composition

 This product is lead-free, and is fully compliant with current RoHS directives 

Soldering Profile

