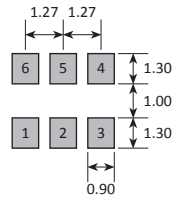


SOLDER PAD LAYOUT



TOP VIEW

PAD	CONNECTION
1	Control voltage
2	Enable / disable
3	Ground
4	Output
5	Not connected
6	Supply

Features

- ▶ High frequency using mesa technology
- ▶ 3.3V supply
- ▶ Choice of pullability & stability
- ▶ Enable / disable tristate function
- ▶ Miniature SM package

Enable / Disable Function

Input (pad 2)	Output (pad 4)
Open	Enabled
'1' level	Enabled
'0' level	High Impedance

Specifications

Parameters	Product	Option Codes
	GVXO-533	
Frequency range:	1.0 ~ 125MHz	■
Voltage control:	+1.65V ±1.50V, 10% linearity	■
Frequency pullability (min):	±100ppm (<80MHz only) ±50ppm Other	□ ■ □
Frequency stability:	±50ppm ±25ppm (<52MHz only) Other	■ □ □
Operating temperature range:	-10 to +70°C -40 to +85°C	■ □
Storage temperature range:	-40 to +85°C	■
Supply voltage (V _{DD}):	+3.3V (±5%)	■
Supply current:	15mA max (1.0 ~ 30.0MHz) 25mA max (>30.0 ~ 52.0MHz) 35mA max (>52.0MHz)	■ ■ ■
Driving ability:	15pF CMOS	■
Logic levels:	'0' level = 10%V _{DD} max '1' level = 90%V _{DD} min	■ ■
Waveform symmetry:	40:60 max @ 50%V _{DD}	■
Rise / fall time (20%~80%V _{DD}):	5ns max	■
Start up time:	10ms max	■
Enable / disable function:	Tristate (control via pad 2*)	■

■ Standard. □ Optional - Please specify required code(s) when ordering

* E/D function can be supplied on pad 5 if required.

Ordering Information

Product + option codes + frequency

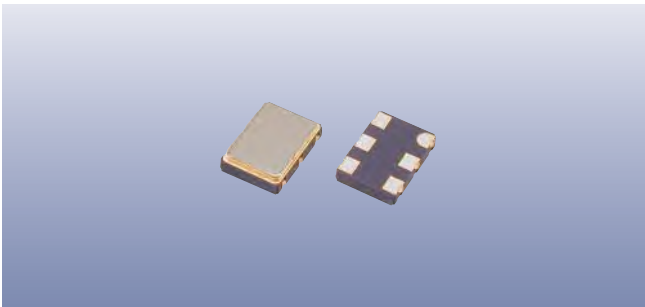
eg: **GVXO-533/NC 27.0MHz** ±50ppm pull, ±25ppm stab, -10+70°C

GVXO-533/SBI 35.3280MHz ±100ppm pull, ±50ppm stab, -40+85°C



Option codes must be included to specify a model completely.

Option code X (eg GVXO-533/X) denotes a custom spec.

◆ Please check availability of ±25ppm stability over -40+85°C before ordering



Construction

-  Ceramic body with gold-plated pads
-  Metal lid, seam sealed

Composition



This product is lead-free, and is fully compliant with the RoHS 2 directive 2011/65/EU



Packaging & Handling

Production quantities supplied on T&R, 2k pcs per reel.
Small quantities may be supplied on tape (no reel), or in bulk.



◆ Static sensitive product. Observe proper handling precautions

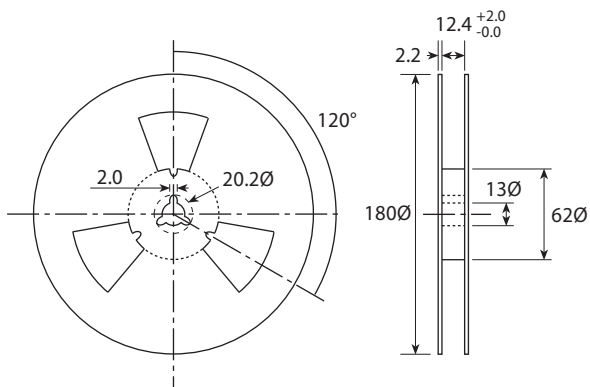
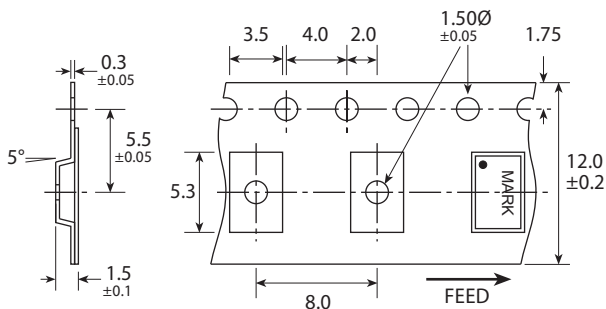
Marking

FREQUENCY	
PARTNO	
• DC	

- Pin 1
- Marking type: Laser
- DC = Date code in YM, eg "CE" = May 2013

	A	B	C	D	E	F	G	H	J	K	L	M
Y	1	2	3	4	5	6	7	8	9	0		
M	Jan	Feb	Mar	Apr	May	Jun	Jul	Aug	Sep	Oct	Nov	Dec

Tape & Reel Specification



Not to scale. Dimensions in mm. Tolerances ±0.1mm unless otherwise stated

Soldering Profile

