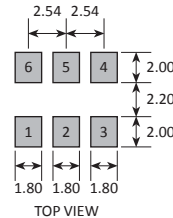


SOLDER PAD LAYOUT



PAD	CONNECTION
1	Control voltage
2	Enable / disable
3	Ground
4	Output 1 (Q)
5	Output 2 ( $\bar{Q}$ )
6	Supply

## Features

- ▶ Frequencies up to 800MHz
- ▶ Complementary LVDS outputs
- ▶ Fast rise / fall times
- ▶ Enable / disable tristate function

## Enable / Disable Function

Input (pad 2) *	Output 1 (pad 4)	Output 2 (pad 5)
Open	Active	Active
'1' level $V_{IH}$	High Z	High Z
'0' level $V_{IL}$	Active	Active

\* Note: '0' level =  $V_{IL} \leq 1.70V$ , '1' level =  $V_{IH} \geq 2.20V$

## Specifications

Parameters	Product	Option Codes
	GVXO-52	
Frequency range:	12.0 ~ 800MHz	
Voltage control ( $V_{CTL}$ ):	+1.65V $\pm$ 1.50V, 10% linearity	
Frequency pullability (min):	$\pm$ 150ppm Other	specify
Frequency stability*:	$\pm$ 50ppm $\pm$ 25ppm Other	B C specify
Operating temperature range:	-10 to +70°C -40 to +85°C	I
Storage temperature range:	-40 to +85°C	
Supply voltage ( $V_{DD}$ ):	+3.3V ( $\pm$ 5%)	
Supply current:	65mA max ( $\leq$ 100MHz) 120mA max ( $>$ 100 ~ 800MHz)	
Output:	LVDS	
Offset voltage:	1.25V typ	
Differential output voltage:	0.33V typ	
Output load:	100 $\Omega$	
Logic levels:	'0' level = +1.7V max '1' level = +2.2V min	
Waveform symmetry:	40:60 max @ 50% $V_{p-p}$	
Rise / fall time:	1.0ns max (20% ~ 80% $V_{p-p}$ )	
Phase jitter:	5ps max (12kHz~20MHz)	

■ Standard. □ Optional - Please specify required code(s) when ordering

\* Frequency stability is inclusive of operating temperature range, supply voltage change and ageing, with  $V_{CTL} = +1.65V$

## Ordering Information

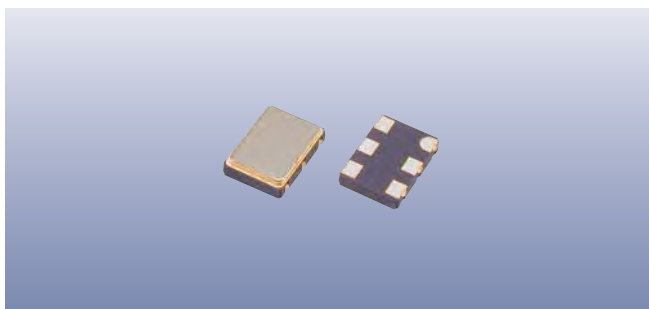
Product + option codes + frequency

eg: **GVXO-52/C 155.520MHz**  $\pm$ 25ppm stability -10+70°C

**GVXO-52/BI 77.760MHz**  $\pm$ 50ppm stability -40+85°C

Option codes must be included to specify a model completely.

Option code X (eg GVXO-52/X) denotes a custom spec.



## Construction

- ▮ Ceramic body with gold-plated pads
- ▮ Metal lid, seam sealed

## Composition



This product is lead-free, and is fully compliant with the RoHS 2 directive 2011/65/EU



## Packaging & Handling

Production quantities supplied on T&R, 2k pcs per reel.  
Small quantities may be supplied on tape (no reel), or in bulk.



◆ Static sensitive product. Observe proper handling precautions

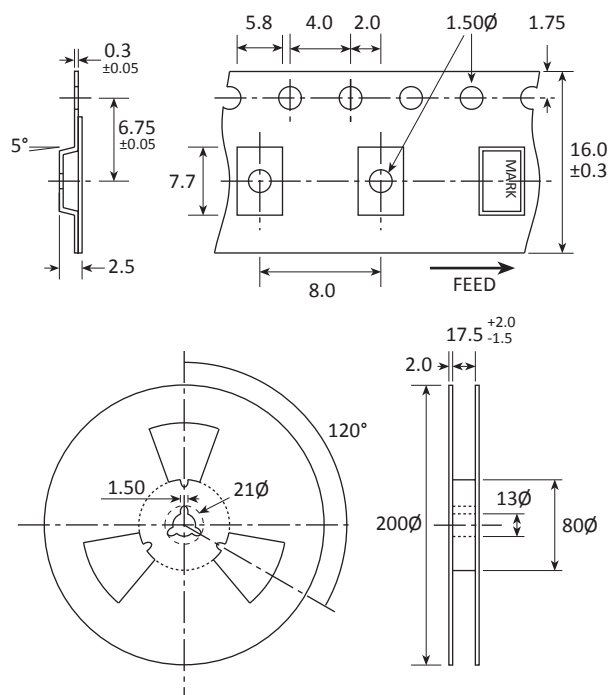
## Marking

GOLLEDGE  
FREQUENCY  
• PARTNO DC

- Pin 1
- Marking type: Laser
- DC = Date code in YM, eg "FE" = May 2016

	A	B	C	D	E	F	G	H	J	K	L	M
Y	1	2	3	4	5	6	7	8	9	0		
M	Jan	Feb	Mar	Apr	May	Jun	Jul	Aug	Sep	Oct	Nov	Dec

## Tape & Reel Specification



Not to scale. Dimensions in mm. Tolerances ±0.1mm unless otherwise stated

## Soldering Profile

