

Features

- ▶ Ultra-miniature for maximum space saving
- ▶ Ideal for wireless & mobile applications
- ▶ Metal lid can be grounded to minimise EMI
- ▶ Seam sealed for excellent long-term stability

Specifications

Parameters	Product	Option Codes
	GSX-223	
Frequency range: 16.0 ~ 50.0MHz	<input checked="" type="checkbox"/>	
Calibration tolerance: ±10ppm ±15ppm ±30ppm Other values (±7.5 ~ ±100ppm)	<input checked="" type="checkbox"/> <input type="checkbox"/> <input type="checkbox"/> <input type="checkbox"/>	1 P 3 specify
Temperature stability: ±10ppm ±15ppm ±20ppm ±30ppm Other values (±7.5 ~ ±100ppm)	<input checked="" type="checkbox"/> <input type="checkbox"/> <input type="checkbox"/> <input type="checkbox"/> <input type="checkbox"/>	1 P 2 3 specify
Operating temperature range: -10 to +60°C -20 to +70°C -30 to +80°C Other values	<input checked="" type="checkbox"/> <input type="checkbox"/> <input type="checkbox"/> <input type="checkbox"/>	1 2 3 specify
Storage temperature range: -40 to +85°C	<input checked="" type="checkbox"/>	
Circuit condition: 8pF 9pF 10pF Series resonant Other values	<input type="checkbox"/> <input checked="" type="checkbox"/> <input type="checkbox"/> <input type="checkbox"/> <input type="checkbox"/>	M N A S specify
Oscillation mode: Fundamental	<input checked="" type="checkbox"/>	F
Equivalent series resistance: 150Ω max (16.0 ~ 23.99MHz) 100Ω max (24.0 ~ 35.99MHz) 60Ω max (36.0 ~ 50.0MHz)	<input checked="" type="checkbox"/> <input checked="" type="checkbox"/> <input checked="" type="checkbox"/>	
Ageing: ±1ppm max first year	<input checked="" type="checkbox"/>	
Test drive level: 10μW typ, 100μW max	<input checked="" type="checkbox"/>	
Soldering condition: 260°C, 10 sec x2 max	<input checked="" type="checkbox"/>	

■ Standard. □ Optional - Please specify required code(s) when ordering

Ordering Information

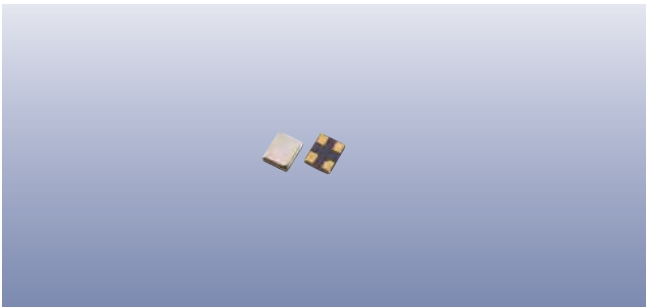
Part No, or product name + option codes + frequency

eg: **GSX-223/111NF 26.0MHz** 10/10/10/9-F

GSX-223/1P3AF 40.0MHz 10/15/30/10-F

Option code X (eg GSX-223/X) denotes a custom specification.

♦ ±10ppm temperature stability may not be available over -30+80°C. Check with our sales office before ordering.



Construction

- ▮ Ceramic body with gold-plated pads
- ▮ Metal lid, seam sealed

Composition



This product is lead-free, and is fully compliant with the RoHS directive 2011/65/EC



Packaging & Handling

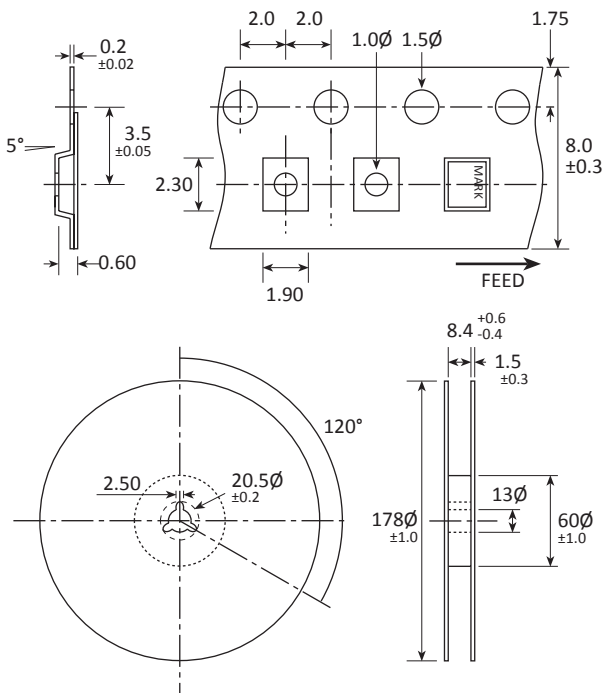
Production quantities supplied on T&R, 3k pcs per reel.
Small quantities may be supplied on tape (no reel), or in bulk.

Marking

FREQUENCY
T DC

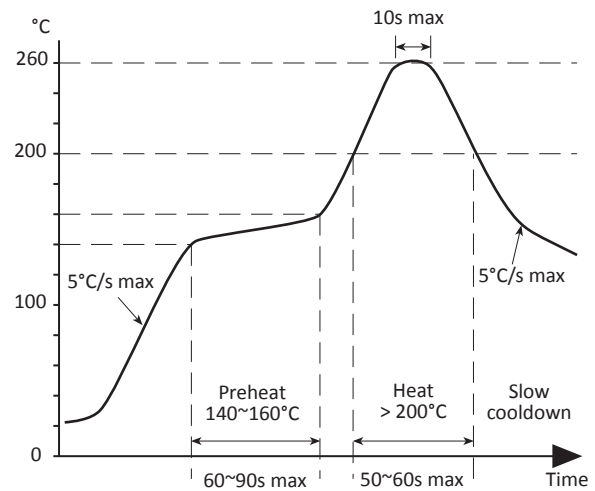
Marking type: Laser
DC = Date code

Tape & Reel Specification



Not to scale. Dimensional tolerances ±0.1mm unless otherwise stated.

Soldering Profile



Maximum solder resistance: 260°C x 10 secs x 2.