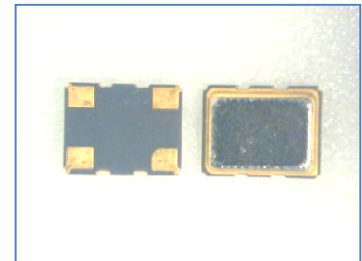


3225 TCXO/VC-TCXO

TC300 Series

◆特長・用途/Feature

- ・SMD Package
- ・Supply Voltage **+3.0V, +2.5V, +1.8V**
- ・Output Level **Clipped Sine Wave**
- ・Frequency range **10MHz ~ 52MHz**

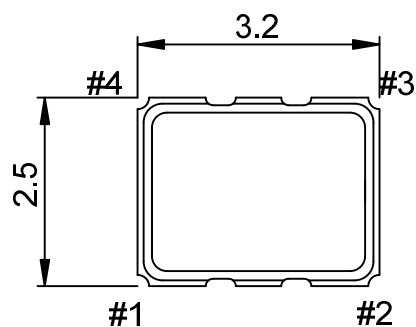


◆仕様/Specifications

RoHS Compliant

項目 / item	Min	Max	Min	Max	単位 / unit	Note
電源電圧 Power Supply voltage	+3.0, +2.5		+1.8		V	--
出力周波数 Frequency range	10	52	13	52	MHz	--
周波数可変範囲 (VC-TCXO) Pulling Range	±5	--	±5	--	10 ⁻⁶	--
周波数安定度 Freq. Overall tolerance	±0.5, ±1.0, ±1.5, ±2.0, ±2.5		±0.5, ±1.0, ±1.5, ±2.0, ±2.5		10 ⁻⁶	-20~+70°C
	±1.0, ±1.5, ±2.0, ±2.5		±1.0, ±1.5, ±2.0, ±2.5		10 ⁻⁶	-30~+85°C
	±1.5, ±2.0, ±2.5		±1.5, ±2.0, ±2.5		10 ⁻⁶	-40~+85°C

◆外形寸法/Dimensions unit : mm



PAD	FUNCTION
#1	Vc :VC-TCXO GND/NC : TCXO
#2	GND
#3	Output
#4	VDD