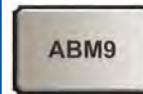


MINIATURE CERAMIC SMD CRYSTAL



4.0 x 2.5 x 0.8mm

ABM9



RoHS
Compliant

FEATURES:

- Low in height; suitable for thin equipment.
- Available +/-10ppm stability -10 ~ +60°C
- Tight tolerance and stability available.
- Suitable for RoHS compliant reflow

APPLICATIONS:

- High density applications.
- Modems, communication and test equipment.
- PCMCIA, Wireless applications

STANDARD SPECIFICATIONS:

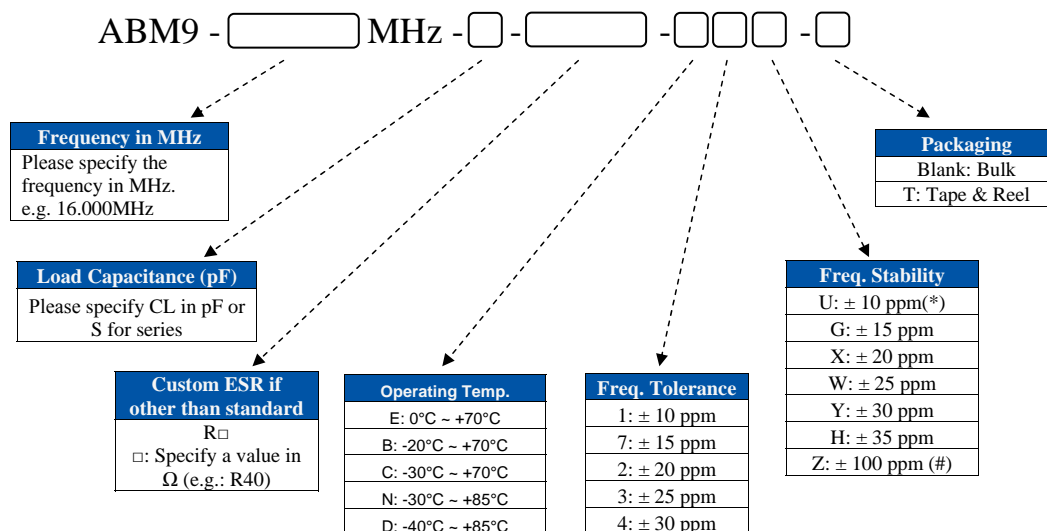
Parameters	Minimum	Typical	Maximum	Units	Notes
Frequency Range	12.000	-----	32.000*	MHz	*Contact Abracon for availability of F>32MHz
Operation Mode	Fundamental, AT			-----	
Operating Temperature	-10	-----	+60	°C	See options
Storage Temperature	-40	-----	+105	°C	
Frequency Tolerance @+25°C	-50	-----	+50	ppm	See options
Frequency Stability over the Operating Temperature (ref. to +25°C)	-50	-----	+50	ppm	See options
Equivalent series resistance (R1)	See table 1 below			Ω	
Shunt capacitance (C0)	-----	-----	7.0	pF	
Load capacitance (CL)	-----	18.0	-----	pF	See options
Drive Level	-----	10	100	μW	
Aging	-5	-----	+5	ppm	@25°C±3°C, First year
Insulation Resistance	500	-----	-----	MΩ	@ 100Vdc ± 15V

TABLE 1- Standard ESR

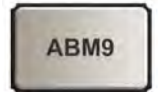
Frequency (MHz)	ESR(Ω) max
12.000 -23.999	80
24.000 -32.000	60

OPTIONS & PART IDENTIFICATION:

(Left blank if standard)



MINIATURE CERAMIC SMD CRYSTAL



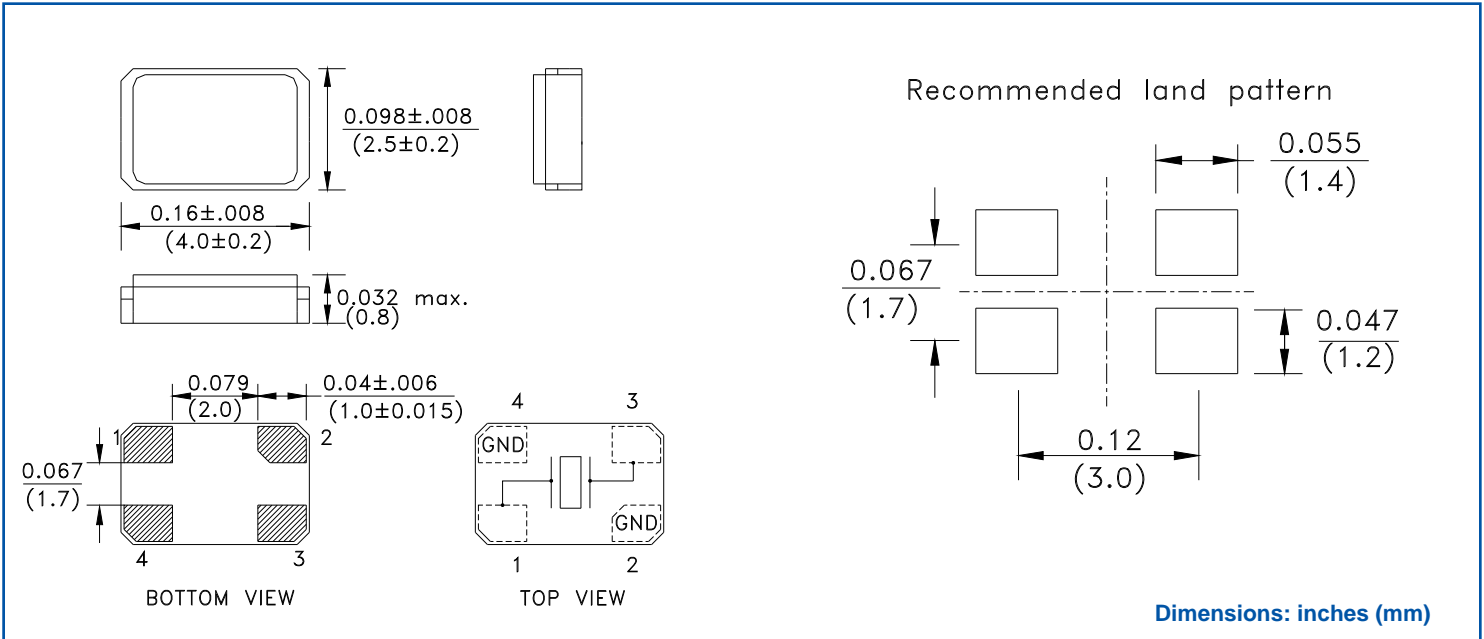
4.0 x 2.5 x 0.8mm

ABM9

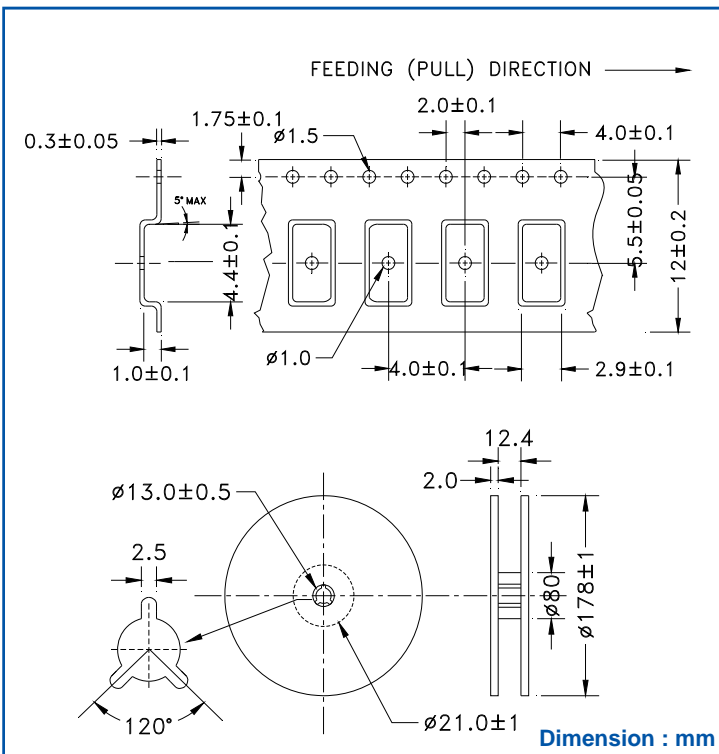


RoHS
Compliant

OUTLINE DRAWING:



TAPE & REEL: Tape and reel (1,000pcs)



REFLOW PROFILE:

