

DESCRIPTION

STATEK's SQXO-2 crystal oscillator consists of a TTL and CMOS-compatible hybrid circuit and a STATEK miniature quartz crystal packaged in a hermetically-sealed 3-pin TO-39 package.

FEATURES

- CMOS and TTL compatible
- Low power
- Low EMI emission
- Wide temperature range
- Full military testing available
- Hermetically sealed

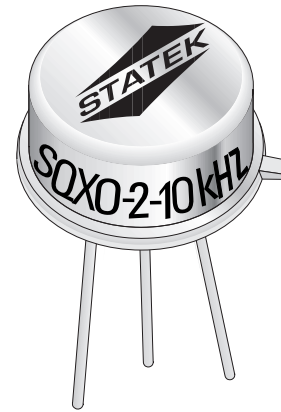
APPLICATIONS

Industrial, Computer & Communications

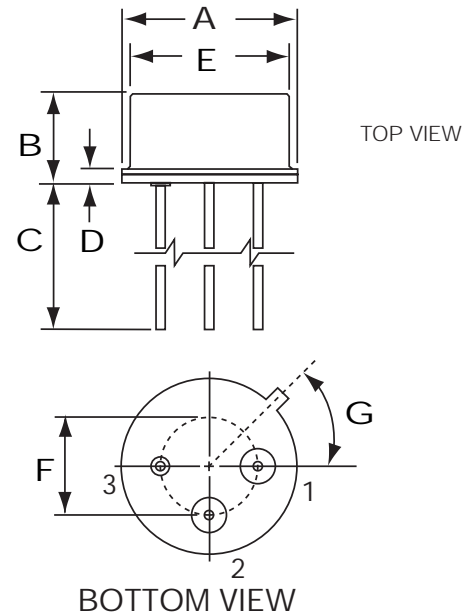
- General purpose clock oscillator
- MWD (measurement while drilling)

Military & Aerospace

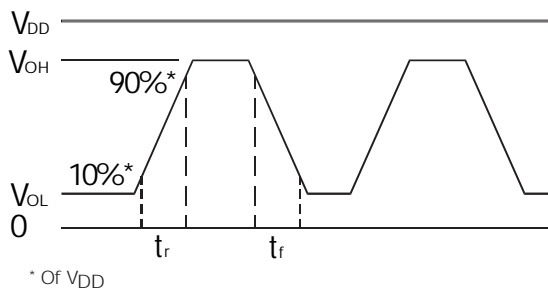
- Airborne hybrid computer
- Flight recorder



PACKAGE DIMENSIONS



OUTPUT WAVE FORM



DIM	INCHES	mm
A	0.380 MAX.	9.65 MAX.
B	0.185 MAX.	4.70 MAX.
C	0.500 MIN.	12.70 MIN.
D	0.029	0.74
E	0.326 MAX.	8.28 MAX.
F	0.200 REF.	5.08 REF.
G	45°	45°

Note:

1. All metal parts gold plated
2. Leads are 0.019 in.[0.48mm] MAX.