

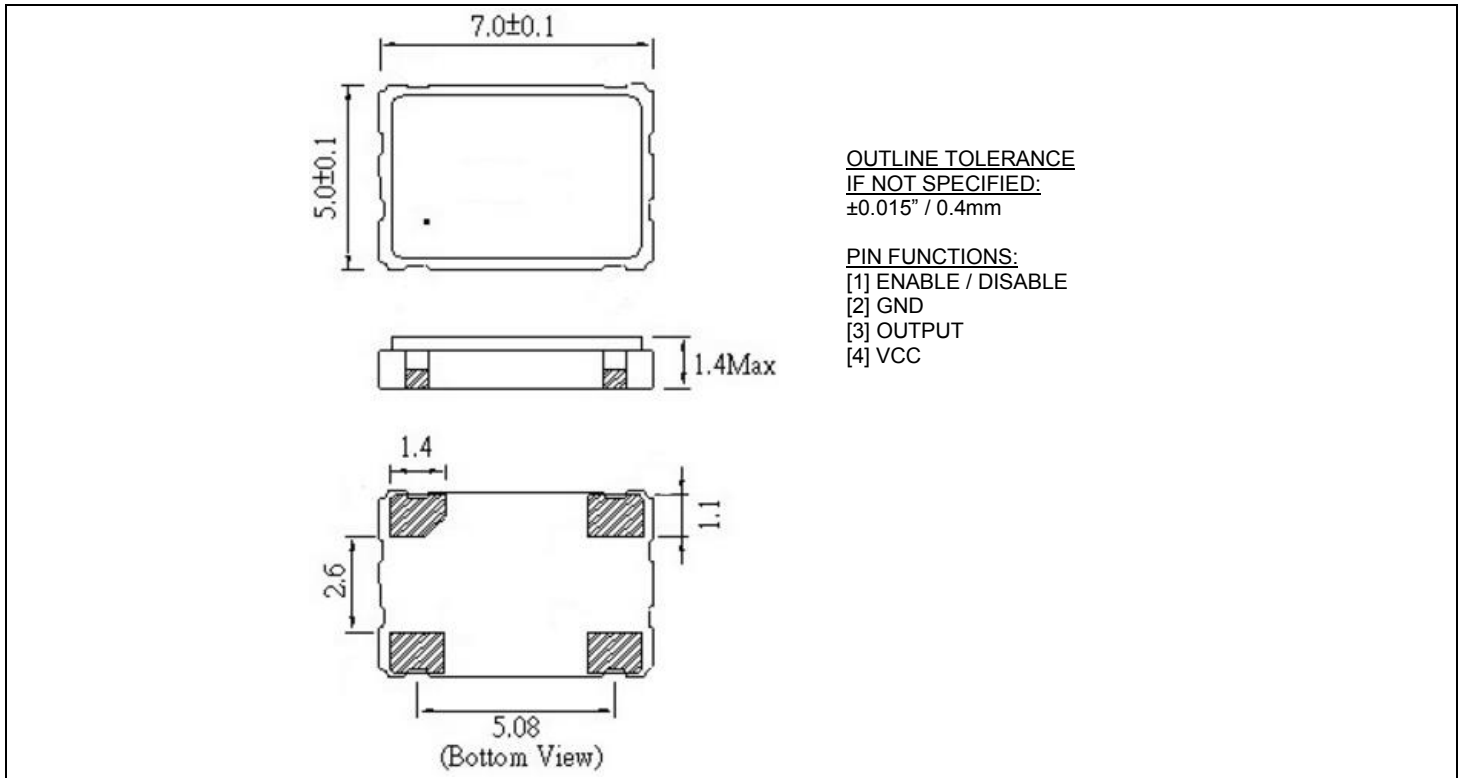


■ **ELECTRICAL SPECIFICATION**

PARAMETER		VALUE
Nominal Frequency		32.768 kHz
Operating Temperature Range		-20°C ~ +70°C Standard -40°C ~ +85°C Extended
Frequency Stability*		±20 ppm, ±25 ppm, ±30 ppm, ±50 ppm
Storage Temperature Range		-55°C to +125°C
Supply Voltage (Vcc)		1.8 V, 3.3 V, 5.0 V
Supply Current		200uA Max. (10uA is available)
Output CMOS	Symmetry	40% to 60% at 50% Vdd (45% to 55% Available)
	Rise / Fall Time	30nS Max.
	Logic "0" Level	Vcc x 0.1 V max
	Logic "1" Level	Vcc x 0.9 V min
	Load	15 pF max
Enable / Disable Function		Pin 1: High or Open >> Output enabled Pin 3 Pin 1: Low >> Output disabled (High impedance)
Start-up Time		10mS Max.

\* Inclusive of 25°C tolerance, operating temperature range, voltage or load changes, aging, shock and vibration, consult factory for tighter stability options.

■ **MECHANICAL SPECIFICATION**



■ **PART NUMBERING SYSTEM**

TYPE	SERIES	-	FREQUENCY (MHz)	-	SUPPLY VOLTAGE (Vcc)	-	STABILITY (ppm)	-	TEMPERATURE RANGE (°C)	-	SYMMETRY (Duty Cycle)	-	TAPE & REEL
Clock Oscillator	7050	-	0.032768	-	1.8: Vcc=1.8 2.5: Vcc=2.5 3.3: Vcc=3.3 5.0: Vcc= 5.0	-	20: $\pm 20$ ppm 25: $\pm 25$ ppm 30: $\pm 30$ ppm 50: $\pm 50$ ppm	-	blank: $-20^{\circ}\text{C}$ to $+70^{\circ}\text{C}$ X: $-40^{\circ}\text{C}$ to $+85^{\circ}\text{C}$	-	blank: 40 to 60% T: 45 to 55%	-	TR

**EXAMPLE: CO7050-0.032768-2.5-20-T-TR**

Surface Mount CO7050, 7.0 x 5.0 mm, 32.768 kHz, 2.5 VDC Supply Voltage,  $\pm 20$  ppm Overall Stability, from  $-20^{\circ}\text{C}$  to  $+70^{\circ}\text{C}$ , Symmetry 45% to 55%, Tape and Reel packaging.