

- ▶ Low Profile
- ▶ Wide Frequency range
- ▶ Extended temperature range
- ▶ Built-in load capacitance
- ▶ RoHS Compliant (Note 7 Exemption)

# ZTT Series Ceramic Resonator

The ZTT Series ceramic resonator offers a wide frequency range and extended temperature range capabilities with built-in load capacitance.

## OPERATING CONDITIONS / ELECTRICAL CHARACTERISTICS

PART NUMBER *	FREQUENCY RANGE (MHz)	FREQUENCY ACCURACY @ 25°C(%)	STABILITY IN TEMPERATURE -20~ +80°C (%)	AGING FOR TEN YEARS (%)	RESONANT RESISTANCE (Ω) MAX
ZTT□.□□MG	2.00 ~ 2.99	±0.5	±0.3	±0.3	80
ZTT□.□□MG	3.00 ~ 3.49	±0.5	±0.3	±0.3	50
ZTT□.□□MG	3.50 ~ 8.00	±0.5	±0.3	±0.3	30
ZTT□.□□MT	6.01 ~ 6.99	±0.5	±0.3	±0.3	30
ZTT□□.□□MT	7.00 ~ 13.00	±0.5	±0.3	±0.3	25
ZTT□□.□□MX	13.01 ~ 50.00	±0.5	±0.3	±0.3	30

- Withstanding voltage (5 seconds max.): 100V DC
- Insulation Resistance 100M Ω Min. (at 10 V DC)

## PACKAGE DIMENSIONS (mm)

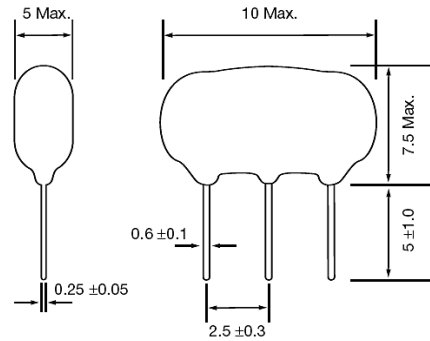


Figure 1) ZTT□.□□MG, Side and Front views

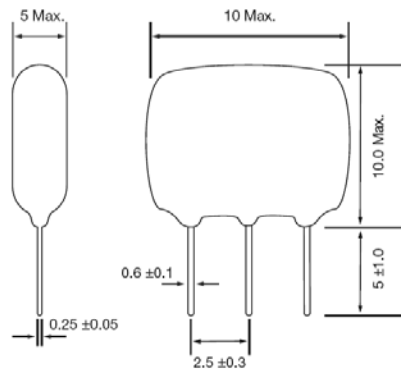


Figure 3) ZTT□.□□MT, MX Side and Front views

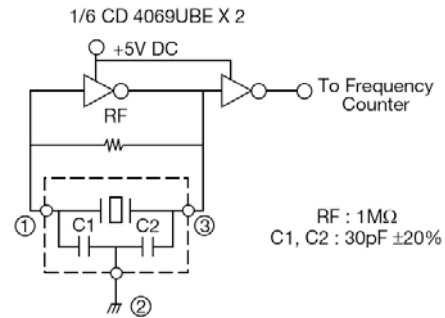


Figure 2) ZTT□.□□MG Test Circuit

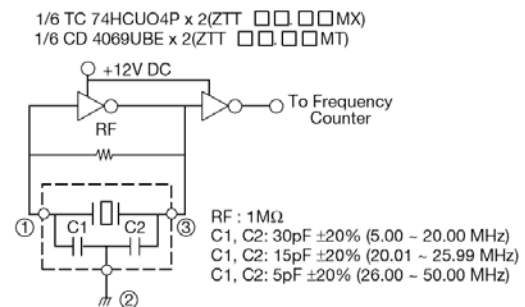
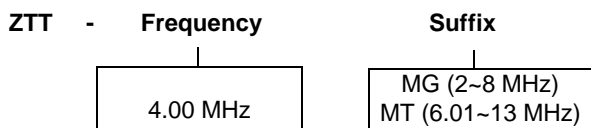


Figure 4) ZTT□.□□MT & ZTT□.□□MX Test Circuit

## PART NUMBERING GUIDE: Example ZTT-4.00MG



Note: ECS does not approve the use of its products in Automotive, Military, Avionics, Life Sustaining or Life Support systems or any other