

General Description

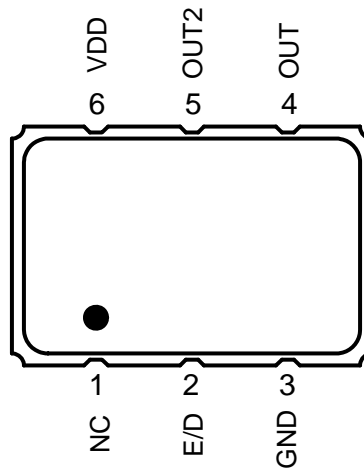
The XUO is an Ultra Precision HCSL Crystal Oscillator with 300fs typical phase jitter over 12kHz to 20MHz bandwidth. Available in a wide frequency range from 16kHz to 670MHz, the IDT XUO Series Crystal Oscillator utilizes a family of proprietary ASICs, with a key focus on noise reduction technologies.

The 4th order Delta Sigma Modulator reduces noise to the levels that are comparable to traditional Bulk Quartz and SAW oscillators. With short lead-time, low cost, low noise, wide frequency range, excellent ambient performance, the XUO is an excellent choice over the conventional technologies. The XUO has stabilities as tight as $\pm 20\text{ppm}$ with extremely quick delivery for both standard and custom frequencies

Features

- Frequency range: 0.016MHz to 670MHz
- Output Type: HCSL
- Frequency Stability: $\pm 20\text{ppm}$, $\pm 25\text{ppm}$, $\pm 50\text{ppm}$, or $\pm 100\text{ppm}$
- Supply Voltage: 1.8V, 2.5V, or 3.3V
- Phase Jitter (1.875MHz to 20MHz): 100fs typical
- Phase Jitter (12kHz to 20MHz): 300fs typical
- Package options: 5.0mm x 3.2mm x 1.2mm (JS6)
7.0mm x 5.0mm x 1.3mm (JU6)
- Operating Temperatures: -20°C to $+70^{\circ}\text{C}$ or -40°C to $+85^{\circ}\text{C}$

Pin Assignment



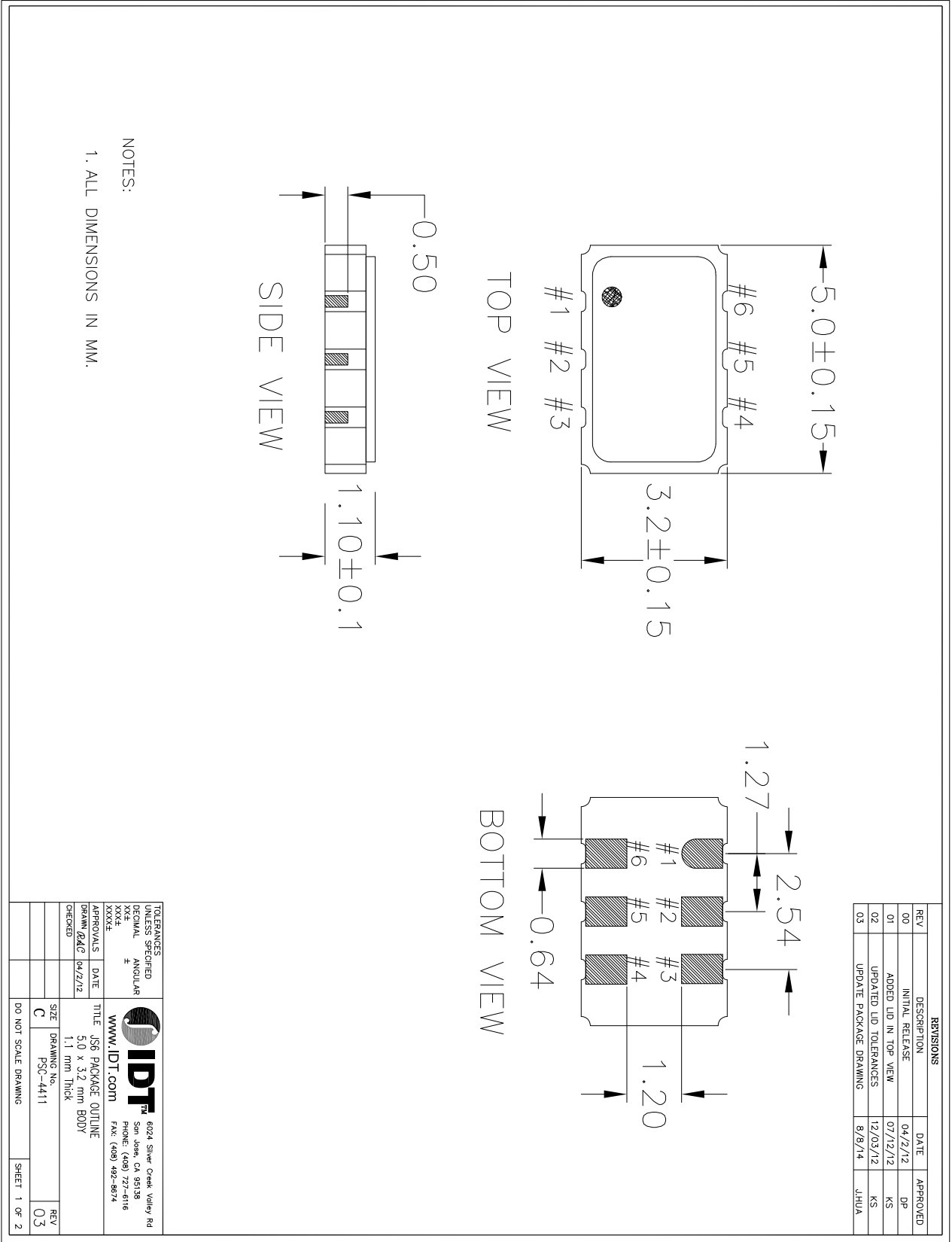
6-pin CLCC

Pin Descriptions

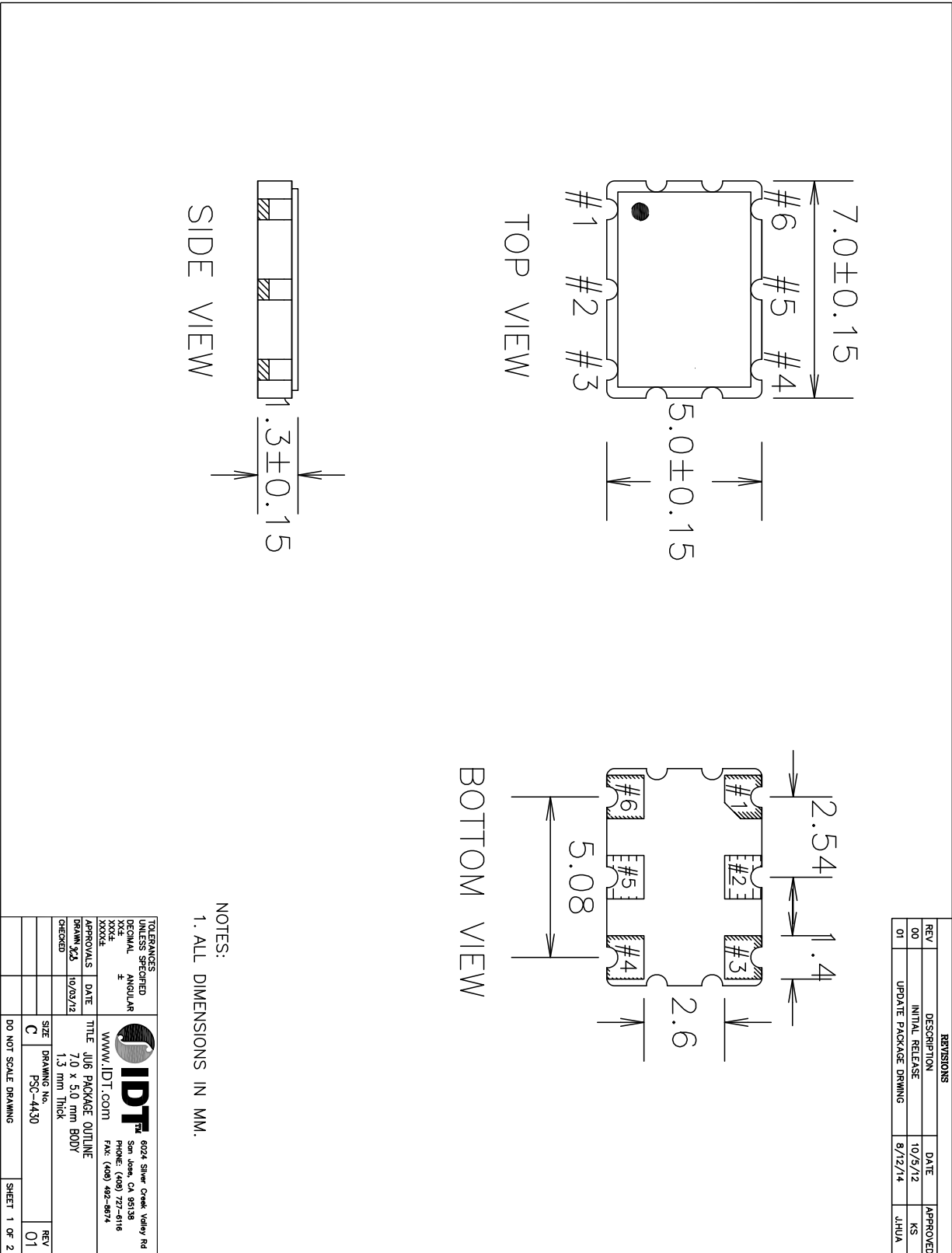
Pin Number	Pin Name	Description
1	NC	No connect
2	E/D	Enable/Disable ¹ (0=Output Disabled)
3	GND	Connect to ground
4	OUT	Output
5	OUT2	Complementary output
6	VDD	Supply Voltage

1. Pulled high internally.

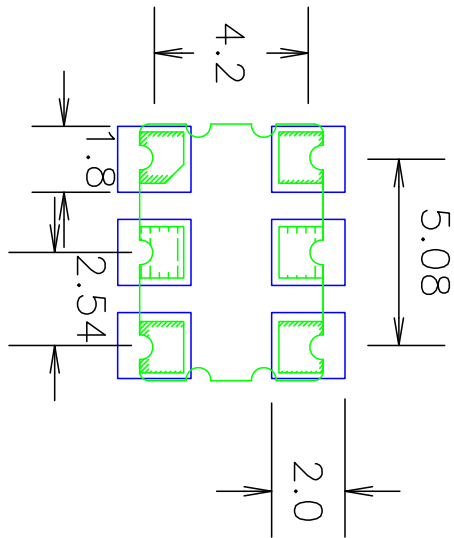
JS6 Package Outline and Dimensions



JU6 Package Outline and Dimensions



JU6 Package Outline and Dimensions (cont.)



RECOMMENDED LAND PATTERN

- NOTES:
1. ALL DIMENSION ARE IN mm. ANGLES IN DEGREES.
 2. TOP DOWN VIEW, AS VIEWED ON PCB.
 3. COMPONENT OUTLINE SHOW FOR REFERENCE IN GREEN.
 4. LAND PATTERN IN BLUE, NSMD PATTERN ASSUMED.
 5. LAND PATTERN RECOMMENDATION PER IPC-7351B GENERIC REQUIREMENT FOR SURFACE MOUNT DESIGN AND LAND PATTERN.

REVISIONS			
REV	DESCRIPTION	DATE	APPROVED
00	INITIAL RELEASE	10/5/12	KS
01	UPDATE PACKAGE DRAWING	8/12/14	JHUA

FEATURES UNLESS SPECIFIED DECIMAL ANGULAR XXX XXXX		8024 Silver Creek Valley Rd San Jose, CA 95138 PHONE: (408) 777-8116 FAX: (408) 482-8974 WWW.IDT.COM
APPROVALS DRAWN: J2 CHECKED:	DATE 10/29/12	
TITLE JU6 PACKAGE OUTLINE 7.0 x 5.0 mm BODY 1.3 mm Thick		
SIZE C	DRAWING No. PSC-4430	REV 01
DO NOT SCALE DRAWING		SHEET 2 OF 2