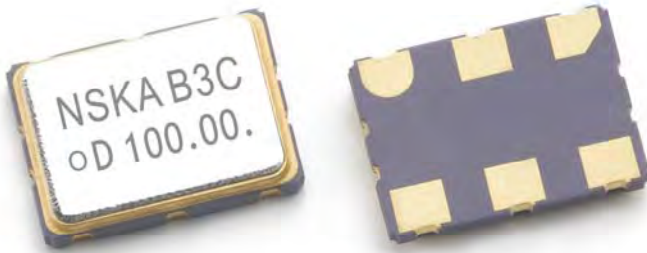


CRYSTAL OSCILLATOR LVDS SMD 7.0x5.0mm



TYPIACL APPLICATION

- Set-top Box , HDTV
- WiMAX / WLAN
- xDSL/ VoIP, Cable modem
- Jitter Attenuator, ADC



FEATURES

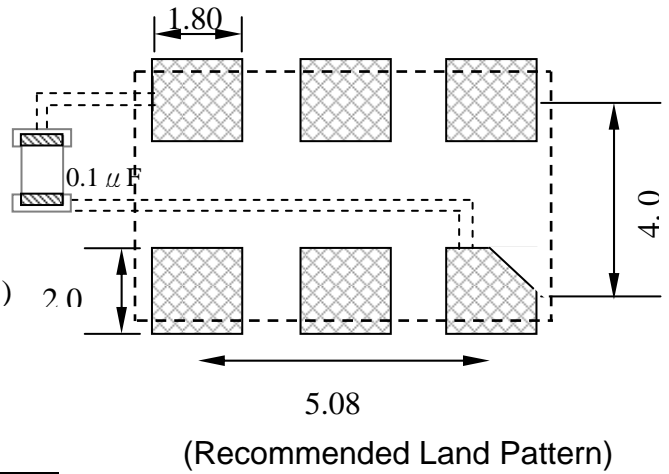
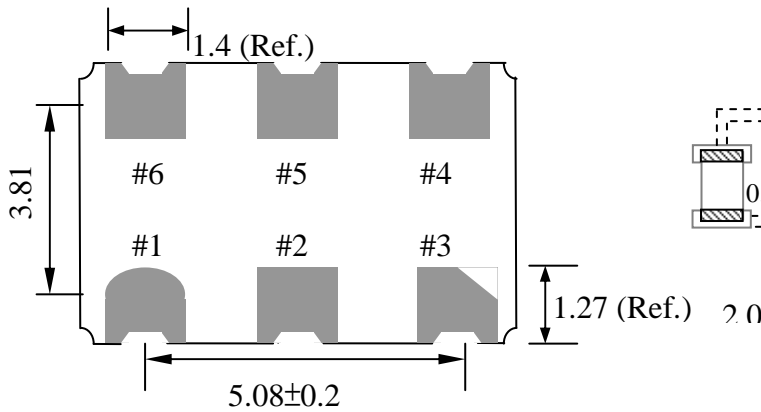
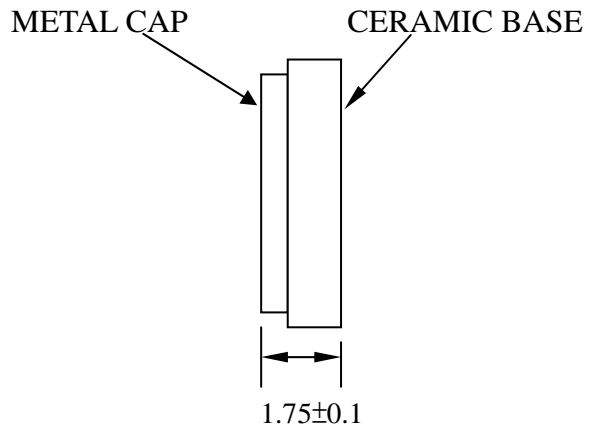
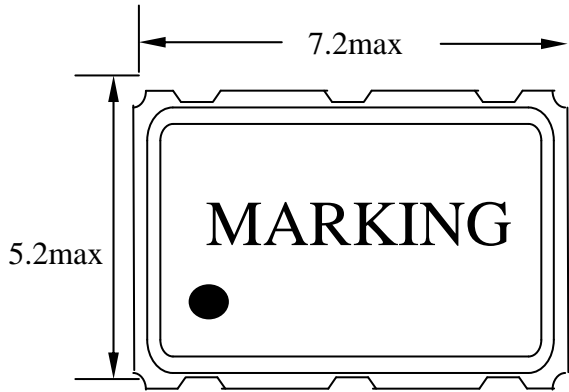
Typical 7.0*5.0*1.75 mm 6 pads ceramic SMD package.
Very low jitter performance: typical 0.3 pS RMS from 12k-20MHz.
Wide frequency control range.
Complementary Output.
Tri-state enable / disable

ELECTRICAL SPECIFICATION

Parameter	Unit	NADD 7x5			
		3.3V		2.5V	
		Min.	Max.	Min.	Max.
Supply Voltage Variation(V_{DD}) $\pm 5\%$	V	3.135	3.465	2.375	2.625
Frequency Range	MHz	1.5	200	65	200
Standard Frequency		77.76 , 106.25 , 122.88 , 125 , 155.52 , 156.25 , 200			
Absolute Pulling Range (APR)	ppm	± 50	--	± 50	--
Control Voltage Range	V	0.3	3.0	0	2.5
Supply Current 1.5 MHz $\leq F_0 < 65$ MHz	mA	--	45	--	45
65 MHz $\leq F_0 \leq 200$ MHz		--	80	--	80
Output Level Output High (Logic"1")	V	--	1.6	--	1.6
Output High (Logic"0")		0.9	--	0.9	--
Transition Time : Rise/Fall Time+	nSec	--	1.0	--	1.0
Start Time	mSec	--	3	--	3
Tri-State (input to Pin 2, Enable Low)					
Enable (Low voltage ro floating)	V	--	0.99	--	0.75
Disable (High voltage ro GND)		2.31	--	1.75	--
Linearity	%	--	10	--	10
Modulation Bandwidth (BW)	kHz	25	--	25	--
Input Impedance	k Ω	5000	--	5000	--
RMS Phase Jitter (Integrated 12kHz~20MHz)					
F ₀ < 100MHz	pSec	--	1	--	1
Aging (@25°C 1st year)	ppm	± 3	--	± 3	--
Storage Temp. Range	°C	-55	125	-55	125

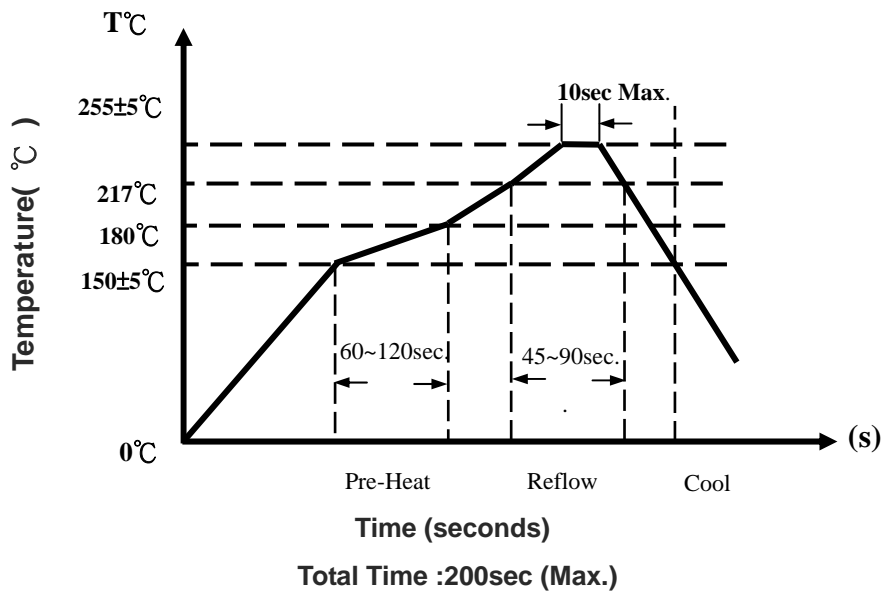
*Inclusive of 25°C ± 3 °C & Operating Temperature Range

Dimensions (mm):

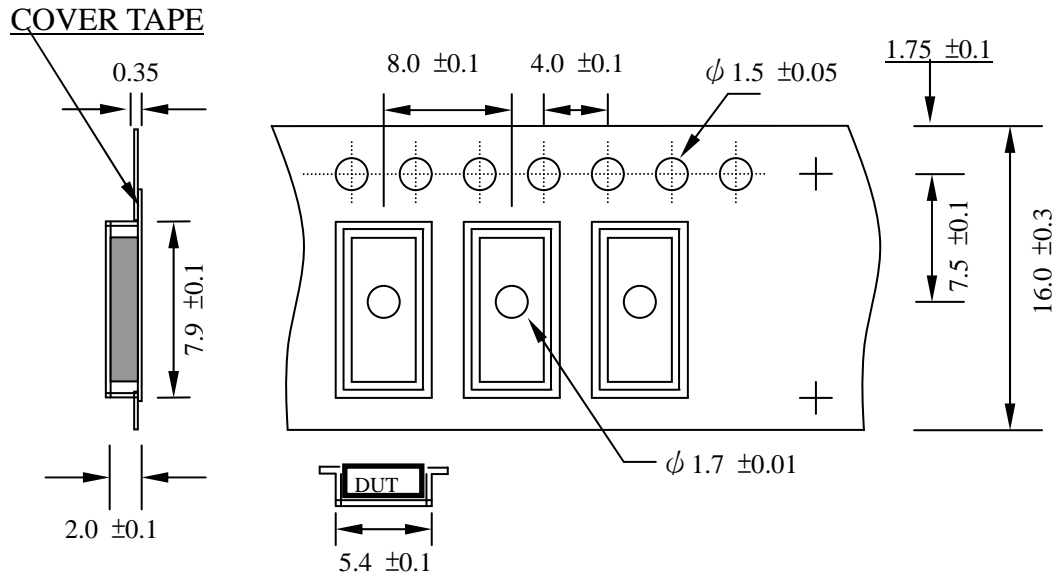


# NO.: Pin define		
#6: VDD	#5: Comp Output	#4: Qoutput
#1: Vcon	#2: Tri-State	#3: GND

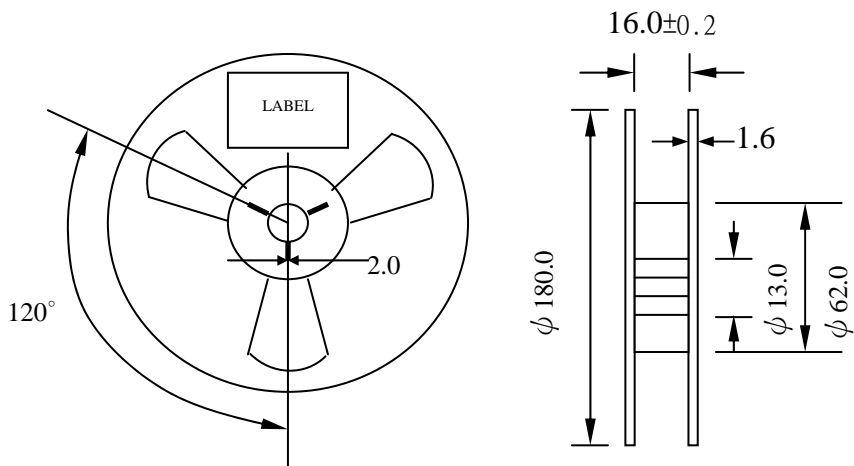
Reflow Temperature Profile:



Tape specification (mm):



Reel packing (mm):



TOLERANCE : ±0.2(mm)