

## Features

- Provides 100MHz HCSL output for interfacing to standard PCIe devices.
- Low Jitter(non-PLL)
- Ceramic package and metal lid assures extreme accuracy and high reliability.
- Lead-free soldering is available.
- Applications: PCI Express, Server, SAS, Network Switch/ Router, SATA, Telecom Switch, Graphics Card, Media Box

## Specifications

Item	Symbol	Specifications			
		Min.	Typ.	Max.	Note
Frequency	F0	100 MHz			As specified
Frequency Stability	FT	±50 ppm			See ※1 below
Storage temperature range		-55°C		+125°C	
Operating temperature range	TR	-40°C		+85°C	As specified
Supply voltage	Vcc	2.97V	3.30V	3.63V	
Current consumption	Icc/OE		50mA	60mA	
Disable current	Icc/OD			25mA	
Logic type	LT	HCSL			
Output voltage "0"level	VoL	-0.15V		0.15V	
Output voltage "1"level	VoH		0.70V	0.85V	
Output load		See Test Circuit			output requires termination
Symmetry	SYM	45%		55%	Mesured 50% of waveform
Rise time / Fall time	TR/TF			700ps	Mesured from VoL=0.175V to VoH=0.525V
Phase jitter	RMS(1-σ)			1ps	Offset frequency: 12kHz to 20MHz
Output Phase Jitter-PCIe Gen2			1.8ps RMS	2.5ps RMS	As defined by PCI-SIG for PCIeG2 reference clock

※1 Stability includes all combinations of operating temperature ,load changes , rated input (supply) voltage changes,initial calibration tolerance(25°C),aging(5 years at 40°C average effective ambient temperature),shock and vibration.

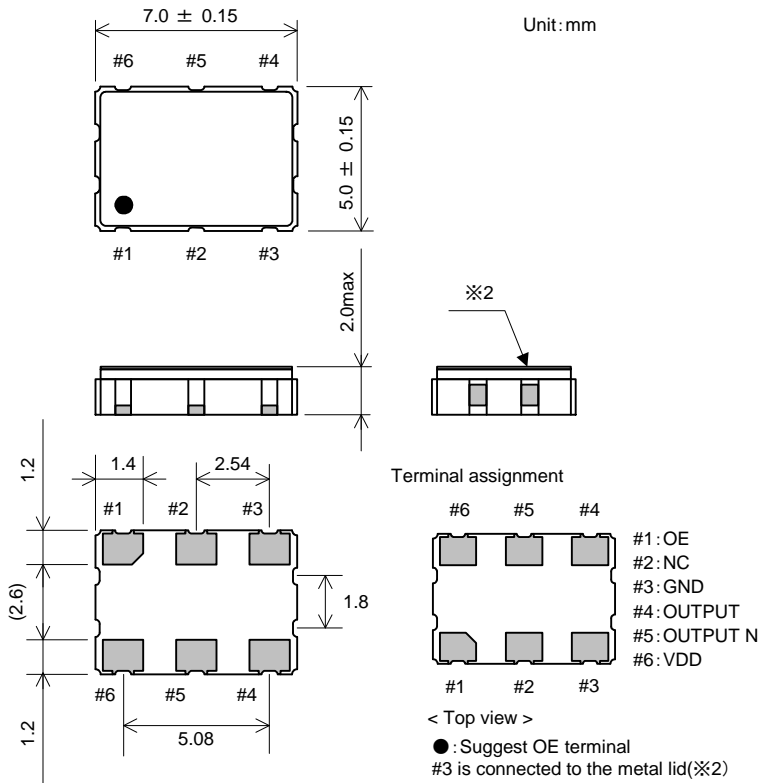
### Output Enable /Disable Function

Item	Min.	Typ.	Max.	Note
Input Voltage(OE pin),Output Enable	2.2V			or open
Input Voltage(OE pin),Output Disable			0.8V	Outputs disabled to Hi-Z
Output Disabel Delay			200ns	
Output Enabel Delay			10ms	

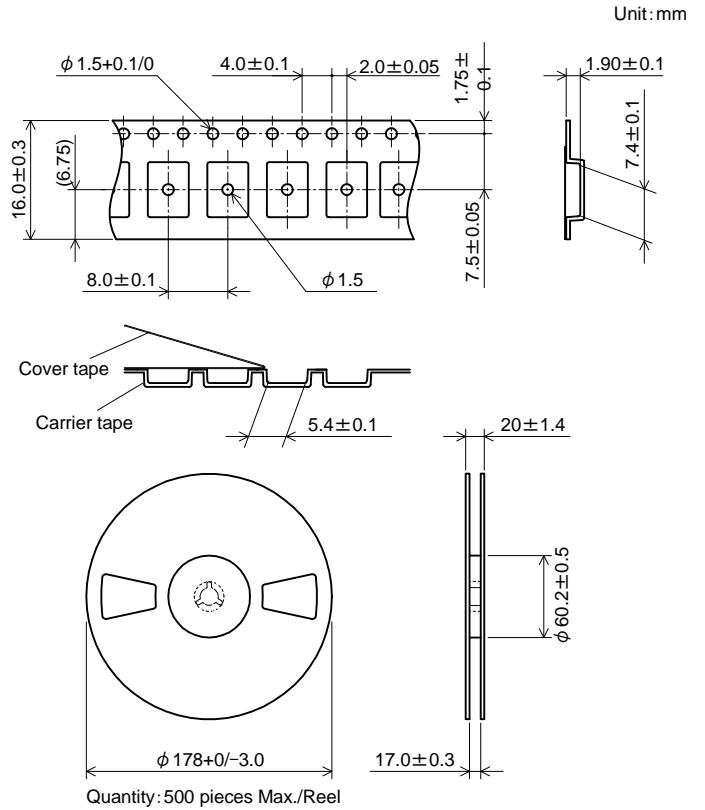
- Bypass capacitor should be connected between VDD and GND due to the stabilized operation for the crystal oscillator.
- Please consult us for customized specifications.
- All specifications and markings subjected to change without notice.

# FCX0-75HC

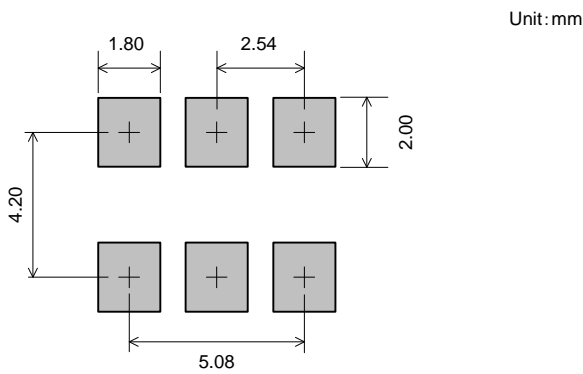
## Dimensions



## Taping



## Land dimensions



## Test Circuit

