

SMD Crystal Oscillators- CMOS Output 2.5 x 2.0 x 0.8 mm 8W Series

Features

- Ultra Small SMD seam sealed clock crystal oscillator units.
- For applications in WLAN, Bluetooth, DSC, DSL and other IT product.
- Tri-state function available.
- RoHS Compliant / Pb Free.

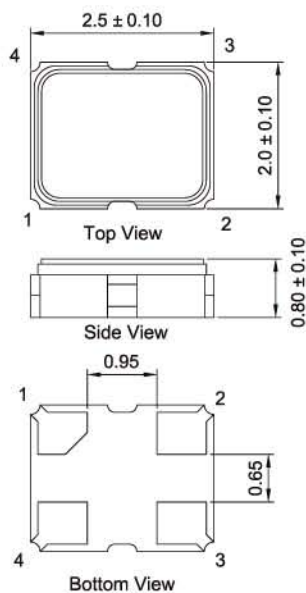


Remark : Specification subject to change without prior notice. Please confirm with our sales. <http://www.txccorp.com>

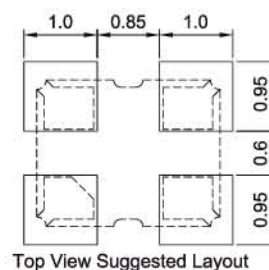
Electrical Specifications

Item / Type	8W
Output Type	CMOS
Output Load	15 pF , or specify
Oscillation Mode	Fundamental
Supply Voltage	3.3 V (1.8 V , 2.5 V available)
Frequency Range	4 ~ 100 MHz
Frequency Stability	± 25 ppm , ± 50 ppm
Operating Temperature Range	- 20 ~ + 70 °C , - 40 ~ + 85 °C
Storage Temperature Range	- 55 ~ + 125 °C
Voltage Vol (Max.) / Voh (Min.)	0.1 VDD / 0.9 VDD
Rise (Tr) / Fall (Tf) Time	5 ns Max.
Supply Current	10 mA Max.
Symmetry	45 ~ 55 %
Start-up Time	5 ms Max.
Phase Jitter (12 KHz ~ 20 MHz)	1 ps Max.
Aging (at 25 °C)	± 3 ppm / year Max.

Dimensions



PAD FUNCTION:
 1: ENABLE CONTROL
 2: GND
 3: OUT
 4: VDD



Units: mm