

# SMD LVDS Crystal Oscillators - Differential Output

## 5.0 x 3.2 x 1.2 mm CF Series



### Features

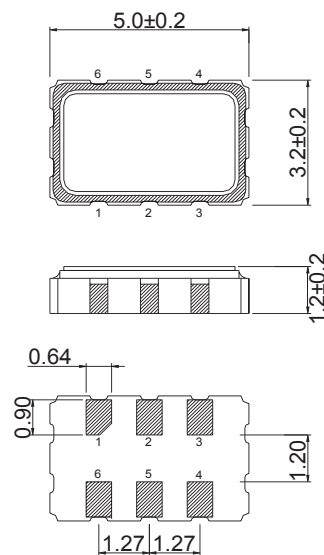
- 3rd overtone solution.
- 3.3V and 2.5V operation available.
- LVDS output, output frequencies 25 MHz to 200 MHz.
- Excellent low phase noise and jitter.
- Tri-State function available.
- Applications : Fibre Channel, Gigabit Ethernet, Serial ATA, Serial Attached SCSI, PCI-Express, SDH/SONET.
- RoHS Compliant / Pb Free.

### Electrical Specifications

Item / Type	CF
Output Type	LVDS
Output Load	100 $\Omega$
Oscillation Mode	3rd Overtone
Supply Voltage	2.5 V , 3.3 V
Frequency Range	25 ~ 200 MHz
Overall Frequency Stability *	$\pm 50$ ppm , or specify
Operating Temperature Range	0 ~ + 70 $^{\circ}\text{C}$ , - 40 ~ + 85 $^{\circ}\text{C}$ , or specify
Storage Temperature Range	- 55 ~ + 125 $^{\circ}\text{C}$
Voltage Vol ( Min. ) / Voh ( Max. )	0.9 V / 1.6 V
Rise ( Tr ) / Fall ( Tf ) Time ( 20 % ~ 80 % )	1 nS Max.
Supply Current	80 mA Max.
Symmetry	45 ~ 55 %
Start-up Time	10 mS Max.
Phase Jitter ( 12 KHz ~ 20 MHz )	1 pS Max.

\* Inclusive of frequency tolerance at 25  $^{\circ}\text{C}$ , variation over temperature, supply voltage variation, aging and vibration.

### Dimensions

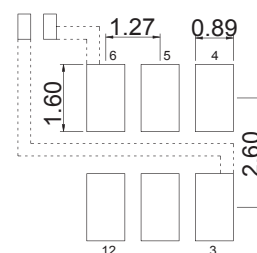


※ Pad dimension tolerance  $\pm 0.2$  mm

#### Pin Function:

1. Enable Control or NC
2. Enable Control or NC
3. GND
4. OUT
5. OUTN
6. VDD

#### Land Pattern:



※ Power Supply Decoupling Capacitor is Required.

※ Pad dimension tolerance  $\pm 0.2$  mm

Units: mm