

NXE-AHF 49/U-S SMD Crystal Unit



{ Features }

- Low cost
- Industry standard package
- High reliability and stability crystal
- Wide frequency range and calibration tolerances available
- Rohs compliant / Pb free

Application of Crystal:

- Best choice for mother board
- USB
- LAN card
- Router
- Switch



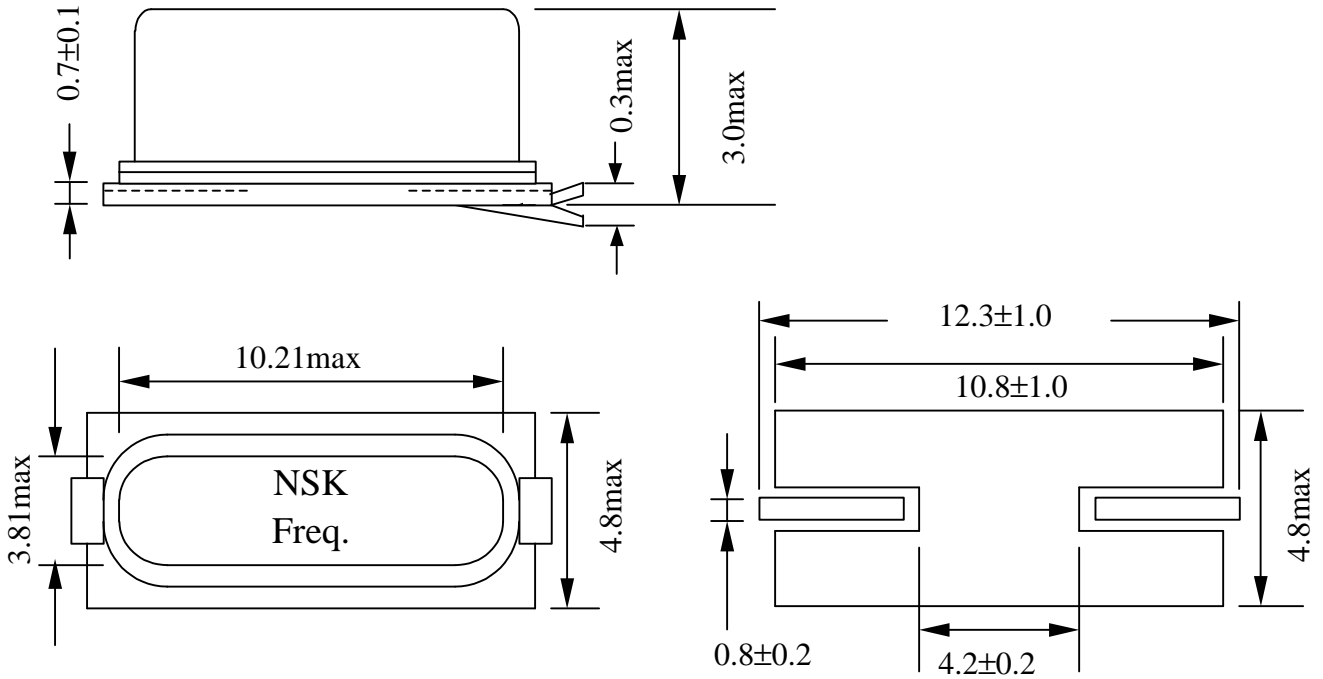
Electrical Specification:

| Model | NXE-AHF |
|--|--|
| Frequency Range | 3.579545 ~ 100.000 MHz |
| Frequency Tolerance at 25 °C ± °C | ±0 ~ ±50 ppm (TYP.) |
| Frequency Stability Over Oper Temp Range | ±0 ~ ±50 ppm (TYP.) |
| Operating Temp Range | -10 °C ~ +60 °C, -20 °C ~ +70 °C or customer requirement |
| Load Capacitance | 8 pF ~ 32 pF, series or special |
| Drive Level | 0.1uW ~ 1000uW(TYP.: 100uW) |
| Insulation Resistance | 500M min / DC 100V ±5V |
| Soldering Reflow Profile | 255 °C ±0 °C 8sec. max |
| Case Material | Low profile type |
| Oscillation Mode | Fundamental, 3rd overtone |
| Measure Instrument | S&A 250B |

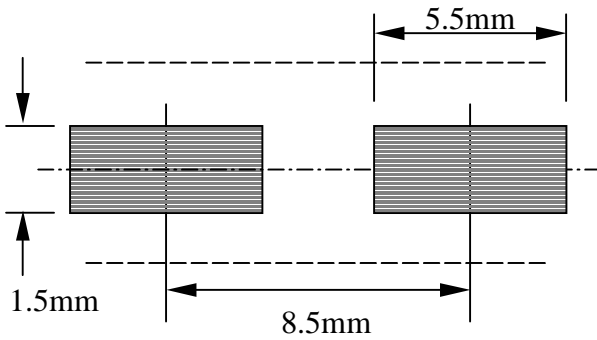
Equivalent Series Resistance(ESR) VS Frequency:

| Frequency (MHz) | Oscillation Mode | NXE-AHF |
|-----------------|------------------|----------|
| 3.57 ~ 3.79 | Fundamental | 180 max. |
| 3.8 ~ 4.49 | Fundamental | 150 |
| 4.5 ~ 5.99 | Fundamental | 120 |
| 6.0 ~ 7.99 | Fundamental | 100 |
| 8.0 ~ 9.99 | Fundamental | 80 |
| 10.0 ~ 11.99 | Fundamental | 70 |
| 12.0 ~ 15.99 | Fundamental | 60 |
| 16.0 ~ 19.99 | Fundamental | 50 |
| 20.0 ~ 39.99 | Fundamental | 40 |
| 26.0 ~ 39.99 | 3rd overtone | 100 |
| 40.0 ~ 70.0 | 3rd overtone | 80 |
| 70.0 ~ 100.0 | 3rd overtone | 100 |

Dimensions (mm):



Land pattern (reference):



Reflow Temperature Profile:

